



*The Niagara Catholic District School Board through
the charisms of faith, social justice, support and leadership,
nurtures an enriching Catholic learning community for all
to reach their full potential and become living witnesses of Christ.*

AGENDA AND MATERIAL

BOARD MEETING

**TUESDAY, OCTOBER 27, 2015
7:00 P.M.**



*FATHER KENNETH BURNS, C.S.C. BOARD ROOM
CATHOLIC EDUCATION CENTRE, WELLAND, ONTARIO*

A. ROUTINE MATTERS

1. Opening Prayers – Trustee Nieuwesteeg -
2. Roll Call -
3. Approval of the Agenda -
4. Declaration of Conflict of Interest -
5. Approval of the Minutes of the Board Meeting of September 29, 2015 A5

B. DELEGATIONS/PRESENTATIONS

C. COMMITTEE AND STAFF REPORTS

1. School Excellence Program St. Edward Catholic Elementary School C1
2. Unapproved Minutes of the Committee of the Whole Meeting of October 13, 2015 C2
3. Approved Minutes of the Special Education Advisory Committee (SEAC) Meeting of September 9, 2015 C3
4. Award of Construction Contract for the new St. Martin Catholic Elementary School C4
5. Extended Overnight Field Trip, Excursion and Exchange C5
6. Financial Reports C6.1
 - 6.1 Unaudited Interim Statement of Operations as at September 30, 2015

D. TRUSTEE ITEMS, OPEN QUESTION PERIOD & OTHER BUSINESS

1. Correspondence D1.1
 - 1.1 October 20, 2015 Niagara Poverty Reduction Network Letter
2. Report on Trustee Conferences Attended -
3. General Discussion to Plan for Future Action -

- 4. Trustee Information
 - 4.1 Spotlight on Niagara Catholic – October 13, 2015 D4.1
 - 4.2 Calendar of Events – November 2015 D4.2
 - 4.3 OCSTA Travel Accident Insurance Policy – December 1, 2015 to November 30, 2016 D4.3
 - 4.4 CCSTA 2017 Steering Committee Meeting – November 11, 2015 -

- 5. Open Question Period
(The purpose of the Open Question Period is to allow members of the Catholic school supporting public to ask about items on that night's public agenda or any previous agendas, and the Board to answer and react.)

E. NOTICES OF MOTION

F. BUSINESS IN CAMERA

G. REPORT ON IN CAMERA SESSION

H. FUTURE MEETINGS AND EVENTS

I. MOMENT OF SILENT REFLECTION FOR LIFE

J. ADJOURNMENT

**TO: NIAGARA CATHOLIC DISTRICT SCHOOL BOARD
BOARD MEETING
OCTOBER 27, 2015**

PUBLIC SESSION

**TITLE: MINUTES OF THE BOARD MEETING OF
SEPTEMBER 29, 2015**

RECOMMENDATION

THAT the Niagara Catholic District School Board approve the Minutes of the Board Meeting of September 29, 2015, as presented.



MINUTES OF THE BOARD MEETING

TUESDAY, SEPTEMBER 29, 2015

Minutes of the Meeting of the Niagara Catholic District School Board, held on Tuesday, September 29, 2015, in the Father Kenneth Burns C.S.C. Board Room, at the Catholic Education Centre, 427 Rice Road, Welland.

The meeting was called to order at 7:00 p.m. by Chairperson MacNeil.

A. ROUTINE MATTERS

1. Opening Prayer

Opening Prayers were led by Trustee Fera

2. Roll Call

Moved by Trustee Vernal

Seconded by Trustee Nieuwesteeg

THAT the Niagara Catholic District School Board excuse Trustee Charbonneau from attending the Board Meeting of September 29, 2015.

CARRIED

Trustee	Present	Present Electronically	Absent	Excused
Kathy Burtnik	✓			
Maurice Charbonneau				✓
Frank Fera	✓			
Fr. Paul MacNeil	✓			
Ed Nieuwesteeg	✓			
Ted O'Leary	✓			
Dino Sicoli	✓			
Pat Vernal	✓			
Student Trustees				
Michaela Bodis	✓			
Aidan Harold	✓			

The following staff were in attendance:

John Crocco, Director of Education; **Yolanda Baldasaro**, **Ted Farrell**, **Lee Ann Forsyth-Sells**, **Frank Iannantuono**, Superintendents of Education; **Giancarlo Vetrone**, Superintendent of Business & Financial Services; **Scott Whitwell**, Controller of Facilities Services; **Anna Pisano**, Recording Secretary/Administrative Assistant, Corporate Services & Communications

3. Approval of the Agenda

John Crocco, Director of Education noted the addition of Item F8.1.2.2 to the Agenda

Moved by Trustee Nieuwesteeg

Seconded by Trustee Sicoli

THAT the Niagara Catholic District School Board approve the Agenda of the Board Meeting of September 29, 2015, as amended:

CARRIED

4. Declaration of Conflict of Interest

A Disclosure of Interest was declared by Trustee O'Leary with Item F8 of the In-Camera Agenda.

5. Approval of Minutes of the Board Meetings

5.1 June 16, 2015 Special Board Meeting

Moved by Trustee Nieuwesteeg

Seconded by Trustee Sicoli

THAT the Niagara Catholic District School Board approve the Minutes of the Special Board Meeting of June 16, 2015, as presented.

CARRIED

5.2 June 16, 2015 Board Meeting

Moved by Trustee Nieuwesteeg

Seconded by Trustee Sicoli

THAT the Niagara Catholic District School Board approve the Minutes of the Board Meeting of June 16, 2015, as presented.

CARRIED

5.3 August 12, 2015 Special Board Meeting

Moved by Trustee Nieuwesteeg

Seconded by Trustee Sicoli

THAT the Niagara Catholic District School Board approve the Minutes of the Special Board Meeting of August 12, 2015, as presented.

CARRIED

5.4 September 3, 2015 Special Board Meeting

Moved by Trustee Nieuwesteeg

Seconded by Trustee Sicoli

THAT the Niagara Catholic District School Board approve the Minutes of the Special Board Meeting of September 3, 2015, as presented.

CARRIED

B. DELEGATIONS/PRESENTATIONS

Nil

C. COMMITTEE AND STAFF REPORTS

1. School Excellence Program – St. Vincent de Paul Catholic Elementary School

Director Crocco provided background information on the monthly School Excellence Program, and on behalf of Mark Lefebvre, Superintendent of Education introduced Mr. Arghittu, Principal of St. Vincent de Paul Catholic Elementary School.

Principal Arghittu, with the assistance of students and staff showcased St. Vincent de Paul Catholic Elementary School as part of the School Excellence Program.

Chairperson MacNeil, Trustee Fera and Trustee Nieuwesteeg thanked Principal Arghittu, the staff and students for their presentation and performance.

2. Unapproved Minutes of the Committee of the Whole Meeting of September 15, 2015

Moved by Trustee O'Leary

Seconded by Trustee Vernal

THAT the Niagara Catholic District School Board receive the unapproved Minutes of the Committee of the Whole Meeting of September 15, 2015, as presented.

CARRIED

3. Approved Minutes of the Niagara Catholic Parent Involvement Committee (NCPIC) Meeting of May 7, 2015

Moved by Trustee O'Leary

Seconded by Trustee Vernal

THAT the Niagara Catholic District School Board receive the Approved Minutes of the Niagara Catholic Parent Involvement Committee (NCPIC) Meeting of May 7, 2015, as presented for information.

CARRIED

4. Approved Minutes of the Special Education Advisory Committee (SEAC) Meeting of June 3, 2015

Moved by Trustee O'Leary

Seconded by Trustee Vernal

THAT the Niagara Catholic District School Board receive the Approved Minutes of the Special Education Advisory Committee (SEAC) Meeting of June 3, 2015, as presented for information.

CARRIED

5. Niagara Catholic System Priorities 2014-2015 – Achievement Report

Director Crocco provided highlights on the Niagara Catholic System Priorities 2014-2015 Achievement Report.

Director Crocco and members of Senior Staff answered questions of Trustees.

Chair MacNeil extended appreciation to Director Crocco and his staff for the excellent report and leadership in achieving the System Priorities for 2014-2015.

6. Appointment of Community Representative(s) to the Niagara Catholic Parent Involvement Committee 2015-2016

Lee Ann Forsyth-Sells, Superintendent of Education presented the report on Appointment of Community Representatives to the Niagara Catholic Parent Involvement Committee 2015-2016.

Moved by Trustee Burtnik

Seconded by Trustee Fera

THAT the Niagara Catholic District School Board approve the appointment of the following community members to serve as Community Representatives on the NCPIC for the term of 2015-2016; Shelley Gilbert – St. Vincent de Paul Society – Appendix A, Leone Strilec – St. Catharines Diocesan Council for Development & Peace – Appendix B, Heather Pyke – Ontario Association of Parents in Catholic Education (OAPCE) – Appendix C, as presented.

CARRIED

7. Staff Development Department Professional Development Opportunities

Frank Iannantuono, Superintendent of Education presented the report on Staff Development Department: Professional Development Opportunities for information.

8. Unaudited Interim Statement of Operations as at July 31, 2015

Giancarlo Vetrone, Superintendent of Business & Financial Services presented the Unaudited Interim Statement of Operations as at July 31, 2015.

Moved by Trustee Burtnik

Seconded by Trustee Nieuwesteeg

THAT the Niagara Catholic District School Board approve the Unaudited Interim Statement of Operations as at July 31, 2015, as presented for information.

CARRIED

D. TRUSTEE ITEMS, OPEN QUESTION PERIOD & OTHER BUSINESS

1. Correspondence

Trustee Burtnik requested clarification on responding to correspondence received by the Board.

Chair MacNeil noted that he reviews all correspondence with Director Crocco but did not respond to D1.2 as it did not ask for a response. Director Crocco reminded the Board that Board responses require Board approval.

Chair MacNeil asked Trustees if there were any questions on the Board correspondence.

2. Report on Trustee Conferences Attended

Nil Report

3. General Discussion to Plan for Future Action

Director Crocco informed the Board that a presentation on World Meeting of Families will be made at the October Committee of the Whole Meeting. Director Crocco provided Trustees with a Magnificat booklet and a book on Pope Francis's Joy of the Gospel from World Meeting of Families Philadelphia 2015.

4. Trustee Information

4.1 Spotlight on Niagara Catholic – September 15, 015

Director Crocco presented the Spotlight on Niagara Catholic – September 15, 2015.

4.2 Calendar of Events – October 2015

Director Crocco reviewed the Calendar of Events – October 2015 for Trustees information.

4.3 We Day – Toronto – October 1, 2015

Director Crocco announced that Student Trustees Michaela Bodis and Aidan Harold would be representing the Niagara Catholic District School Board at We Day.

4.4 Director's Inspiration Award – October 8, 2015 – Our Lady of the Scapular Church

Director Crocco reminded Trustees of the upcoming Director's Inspiration Award Mass and Celebration.

Trustees were asked to confirm their attendance with Anna Pisano, Administrative Assistant to Corporate Services & Communications

4.5 Blessing of Lakeshore Catholic High School – October 29, 2015

Director Crocco confirmed the date of the Blessing of Lakeshore Catholic High School.

Trustees were asked to confirm their attendance with Anna Pisano.

4.6 CCSTA Niagara – June 1 – June 3, 2017 Committee

Chair McNeil extended an invitation to Trustees to join one of the many different Committees for the CCSTA Niagara AGM 2017.

4.7 Ontario College of Teachers Professional Advisory Duty to Report

Director Crocco distributed copies of the Ontario College of Teachers Professional Advisory Duty to Report booklet. Director Crocco announced the date and time of an October 7, 2015 Educational information meeting for Trustees and Board staff.

Trustees were asked to confirm their attendance with Anna Pisano.

5. Open Question Period

None Submitted

E. NOTICES OF MOTION

F. BUSINESS IN CAMERA

Moved by Trustee Vernal
Seconded by Trustee Burtnik

THAT the Niagara Catholic District School Board move into the In Camera Session.

CARRIED

The Niagara Catholic District School Board moved into the In Camera Session of the Board Meeting at 8:27 p.m. and reconvened at 8:57 p.m.

G. REPORT ON THE IN-CAMERA SESSION

Moved by Trustee Sicoli
Seconded by Trustee O'Leary

THAT the Niagara Catholic District School Board report the motions from the In Camera Session of the Board Meeting of September 29, 2015

CARRIED

SECTION A: STUDENT TRUSTEES PRESENT

Moved by Trustee Sicoli
Seconded by Trustee O'Leary

THAT the Niagara Catholic District School Board approve the Minutes of the In Camera Session of the Board Meeting - SECTION A: Student Trustees Present of June 16, 2015, as presented.

CARRIED (Item F1)

Moved by Trustee Sicoli
Seconded by Trustee O'Leary

THAT the Niagara Catholic District School Board receive the unapproved Minutes of the In Camera Session of the Committee of the Whole Meeting - SECTION A: Student Trustees Present of September 15, 2015, as presented.

CARRIED (Item F2)

SECTION B: STUDENT TRUSTEES EXCLUDED

Moved by Trustee O'Leary
Seconded by Trustee Nieuwesteeg

THAT the Niagara Catholic District School Board approve the Minutes of the In Camera Session of the Board Meeting - SECTION B: Student Trustees Excluded of June 16, 2015, as presented.

CARRIED (Item F4.1)

Moved by Trustee O'Leary
Seconded by Trustee Nieuwesteeg

THAT the Niagara Catholic District School Board approve the Minutes of the In Camera Session of the Board Meeting - SECTION B: Student Trustees Excluded of August 12, 2015, as presented.

CARRIED (Item F4.2)

Moved by Trustee O'Leary
Seconded by Trustee Nieuwesteeg

THAT the Niagara Catholic District School Board approve the Minutes of the In Camera Session of the Board Meeting - SECTION B: Student Trustees Excluded of September 3, 2015, as presented.

CARRIED (Item F4.3)

Moved by Trustee Vernal
Seconded by Trustee Sicoli

THAT the Niagara Catholic District School Board receive the unapproved Minutes of the In Camera Session of the Committee of the Whole Meeting - SECTION B: Student Trustees Excluded of September 15, 2015, as presented.

CARRIED (Item F5)

H. FUTURE MEETINGS AND EVENTS

I. MOMENT OF SILENT REFLECTION FOR LIFE

J. ADJOURNMENT

Moved by Trustee Sicoli
Seconded by Trustee O'Leary

THAT the September 29, 2015 meeting of the Niagara Catholic District School Board be adjourned.

CARRIED

This meeting was adjourned at 9:55 p.m.

Minutes of the Meeting of the Niagara Catholic District School Board held on **September 29, 2015**.

Approved on **October 27, 2015**.

Fr. Paul MacNeil
Chairperson of the Board

John Crocco
Director of Education/Secretary -Treasurer

**TO: NIAGARA CATHOLIC DISTRICT SCHOOL BOARD
BOARD MEETING
OCTOBER 27, 2015**

PUBLIC SESSION

**TITLE: SCHOOL EXCELLENCE PROGRAM
ST. EDWARD CATHOLIC ELEMENTARY SCHOOL**

The School Excellence Program report is presented for information.

Prepared by: Yolanda Baldasaro, Superintendent of Education

Presented by: Yolanda Baldasaro, Superintendent of Education

Approved by: John Crocco, Director of Education/Secretary-Treasurer

Date: October 27, 2015



SCHOOL EXCELLENCE PROGRAM ST. EDWARD CATHOLIC ELEMENTARY SCHOOL

Contact Info

2807 4th Avenue
Jordan, ON L0R 1S0
P. 905.562.5531
F. 905.562.1847
st.edward@ncdsb.com

Grades
ELKP – 8

Enrolment
185 as of September 2014

Principal
Adrian Bishop

Superintendent
Yolanda Baldasaro

**Catholic School Council
Chair**
Victoria Bucsis

Parish
St. Helen



St. Edward Catholic Elementary School is located in Jordan, Ontario in the Town of Lincoln. The original school, housing six classrooms and a small office, was constructed in 1963. A gymnasium, changerooms, three additional classrooms, and a resource office were added in 1967. A renovation in 1995 added two Primary classrooms to the front of the school.

Our students live in rural areas including the two small towns of Vineland and Jordan. The school is an integral part of the community. The entire school community works together on all of our initiatives, bringing to life the old adage that it takes a village to raise a child. We work closely with our parish to ensure that Christ is at the centre of all that we do, recognizing the face of Jesus in all of our students. In every sense of the word, we are small in size but big in spirit. St. Edward Catholic Elementary School is a part of the [Blessed Trinity Catholic Secondary School](#) Family of Schools.

We are small in size, but big in spirit!

-School Motto

Prepared by: Yolanda Baldasaro, Superintendent of Education

Presented by: Yolanda Baldasaro, Superintendent of Education

Approved by: John Crocco, Director of Education/Secretary-Treasurer

Date: October 27, 2015

**TO: NIAGARA CATHOLIC DISTRICT SCHOOL BOARD
BOARD MEETING
OCTOBER 27, 2015**

PUBLIC SESSION

**TITLE: UNAPPROVED MINUTES OF THE COMMITTEE OF THE
WHOLE MEETING OF OCTOBER 13, 2015**

RECOMMENDATION

THAT the Niagara Catholic District School Board receive the unapproved Minutes of the Committee of the Whole Minutes of October 13, 2015, as presented.



**MINUTES OF THE
COMMITTEE OF THE WHOLE MEETING
TUESDAY, OCTOBER 13, 2015**

Minutes of the Meeting of the Committee of the Whole of the Niagara Catholic District School Board, held on Tuesday, October 13, 2015 in the Father Kenneth Burns C.S.C. Board Room, at the Catholic Education Centre, 427 Rice Road, Welland.

The meeting was called to order at 7:00 p.m. by Vice-Chairperson Sicoli.

A. ROUTINE MATTERS

1. Opening Prayer

Opening Prayer was led by Chair MacNeil

2. Roll Call

Trustee	Present	Present Electronically	Absent	Excused
Kathy Burtnik	✓			
Maurice Charbonneau				✓
Frank Fera	✓			
Fr. Paul MacNeil	✓			
Ed Nieuwesteeg	✓			
Ted O'Leary	✓			
Dino Sicoli	✓			
Pat Vernal	✓			
Student Trustees				
Michaela Bodis	✓			
Aidan Harold	✓			

The following staff were in attendance:

John Crocco, Director of Education; **Yolanda Baldasaro**, **Ted Farrell**, **Lee Ann Forsyth-Sells**, **Frank Iannantuono**, **Mark Lefebvre**, Superintendents of Education; **Giancarlo Vetrone**, Superintendent of Business & Financial Services; **Scott Whitwell**, Controller of Facilities Services; **Anna Pisano**, Recording Secretary/Administrative Assistant, Corporate Services & Communications

3. Approval of the Agenda

Moved by Trustee O'Leary

THAT the Committee of the Whole approve the Agenda of the Committee of the Whole Meeting of October 13, 2015 as presented.

CARRIED

4. Declaration of Conflict of Interest

Declaration of Conflict of Interest was declared by Trustee O'Leary with Items F4.1.1, F4.2.1 and F4.2.2 of the In Camera Agenda.

5. Approval of Minutes of the Committee of the Whole Meeting of September 15, 2015

Moved by Trustee Fera

THAT the Committee of the Whole approve the Minutes of the Committee of the Whole Meeting of September 15, 2015 as presented.

CARRIED

B. PRESENTATIONS

1. World Meeting of Families 2015

John Crocco, Director of Education introduced the presentation on the World Meeting of Families 2015.

Director Crocco introduced Krista Wood, Chaplaincy Leader, Terri Pauco, Religious Education Consultant and Shonna Daly, Chair of the Niagara Catholic Parent Involvement Committee and member of the Alliance Committee who gave a visual presentation on the World Meeting of Families 2015.

Vice-Chair Sicoli and Chair MacNeil thanked Ms. Wood, Ms. Pauco and Ms. Daly for their presentation.

C. COMMITTEE AND STAFF REPORTS

1. Policy Committee

1.1 Unapproved Minutes of the Policy Committee Meeting of September 29, 2015

Moved by Trustee Vernal

THAT the Committee of the Whole receive the unapproved Minutes of the Policy Committee Meeting of September 29, 2015, as presented.

CARRIED

1.2 Policy and Guideline Review 2015-2016 Schedule

Director Crocco presented the Policy and Guideline Review 2015-2016 Schedule for the information of Trustees and reviewed the timelines on the Policies currently being vetted in the system.

2. Education Quality and Accountability Office (EQAO) Ontario Secondary School Literacy Test (OSSLT) 2014-2015 Results for First Time Eligible (FTE) Students

Lee Ann Forsyth-Sells, Superintendent of Education presented the report on the Education Quality and Accountability Office (EQAO) Ontario Secondary School Literacy Test (OSSLT) 2014-2015 Results for First Time Eligible (FTE) Students for Trustee information.

Superintendent Forsyth-Sells answered questions of Trustees.

3. A Comprehensive Mathematics Framework

Mark Lefebvre, Superintendent of Education introduced Chris Moscato, K-12 Math Consultant and Laura Cronshaw, Math Coach for Niagara Catholic District School Board, who presented the report on A Comprehensive Mathematics Framework for information.

Mr. Moscato and Ms. Cronshaw answered questions of Trustees.

Trustees thanked the team for their presentation.

4. Catholic School Councils' Annual Reports and the Niagara Catholic Parent Involvement Committee Annual Report 2014-2015

Superintendent Forsyth-Sells presented the Catholic School Councils' Annual Reports and the Niagara Catholic Parent Involvement Committee Annual Report 2014-2015 for information.

5. Parent Reaching Out (PRO) Grants 2015-2016

Superintendent Forsyth-Sells presented the report on Parent Reaching Out (PRO) Grants 2015-2016 for Catholic School Councils and the Niagara Catholic Parent Involvement Committee.

Superintendent Forsyth-Sells answered questions of Trustees.

6. Extended Overnight Field Trip, Excursion and Exchange Approval Committee 2015-2016

Mark Lefebvre, Superintendent of Education presented the report on Extended Overnight Field Trip, Excursion and Exchange Approval Committee 2015-2016 for information.

7. October Committee of the Whole System Priorities and Budget 2015-2016 Update

Director Crocco and Senior Staff provided the October Committee of the Whole System Priorities and Budget 2015-2016 Update for Trustee information.

Director Crocco and Senior Staff answered questions of Trustees.

8. Staff Development Department Professional Development Opportunities

Frank Iannantuono, Superintendent of Education/Human Resources, presented the report on the Staff Development Department Professional Development Opportunities for information.

9. Monthly Updates

9.1 Capital Projects Update

Scott Whitwell, Controller of Facilities Services, presented the Capital Projects Update.

9.2 Student Trustees' Update

Michaela Bodis and Aidan Harold, Student Trustees, presented a brief verbal update on the current activities of the Student Senate.

9.3 Senior Staff Good News Update

Senior Staff highlights included:

Director Crocco

- There was an overwhelming response for student participation for the Vimy Ridge 100th Anniversary trip in 2017.

D. INFORMATION

1. Trustee Information

1.1 Spotlight on Niagara Catholic – September 29, 2015

Director Crocco highlighted the Spotlight on Niagara Catholic – September 29, 2015 issue for Trustees information.

1.2 Calendar of Events – October 2015

Director Crocco presented the October 2015 Calendar of Events for Trustees information and drew attention to the annual Pilgrimages being held on October 25, 2015 at each Niagara Catholic Secondary School.

Trustees who wish to attend Pilgrimage 2015 were asked to contact the Principal of the secondary school and/or Anna Pisano, Administrative Assistant of Corporate Services & Communications for the schools itinerary.

1.3 The Knights of Columbus Bishop's Charities Dinner October 24, 2015

Director Crocco reminded Trustees of The Knights of Columbus Bishop's Charities Dinner.

Trustees were asked to confirm their attendance with Anna Pisano.

1.4 OCSTA 2016 AGM & Conference Resolutions

Director Crocco provided Trustees with a copy of the OCSTA 2016 AGM & Conference Resolutions.

Trustees were asked to confirm their attendance with Anna Pisano.

E. OTHER BUSINESS

1. General Discussion to Plan for Future Action

Director Crocco indicated the potential for the St. Martin tender to be presented for consideration at the October Board meeting.

Director Crocco informed the Board that as the various multi-year plans set as System Priorities 2015-2016 are finalized, they will be presented as the main focus of upcoming Committee of the Whole Meetings for discussion and the consideration of Trustees.

F. BUSINESS IN CAMERA

Moved by Trustee Nieuwesteeg

THAT the Committee of the Whole move into the In Camera Session.

CARRIED

The Committee of the Whole moved into the In Camera Session of the Committee of the Whole Meeting at 8:24 p.m. and reconvened at 8:58 p.m.

G. REPORT ON THE IN-CAMERA SESSION

Moved by Trustee Nieuwesteeg

THAT the Committee of the Whole report the motions from the In Camera Session of the Committee of the Whole Meeting of October 13, 2015.

CARRIED

SECTION A: STUDENT TRUSTEES INCLUDED

Moved by Trustee Vernal

THAT the Committee of the Whole approve the Minutes of the Committee of the Whole Meeting - In Camera Session (Section A: Student Trustees Included) held on September 15, 2015, as presented.

CARRIED (Item F1)

SECTION B: STUDENT TRUSTEES EXCLUDED

Moved by Trustee Burtnik

THAT the Committee of the Whole approve the Minutes of the Committee of the Whole Meeting - In Camera Session (Section B: Student Trustees Excluded) held on September 15, 2015, as presented.

CARRIED (Item F3)

H. ADJOURNMENT

Moved by Trustee O'Leary

THAT the October 13, 2015 Committee of the Whole Meeting be adjourned.

CARRIED

This meeting was adjourned at 8:59 p.m.

Minutes of the Committee of the Whole Meeting of the Niagara Catholic District School Board held on **October 13, 2015.**

Approved on **November 10, 2015.**

Dino Sicoli
Vice-Chairperson of the Board

John Crocco
Director of Education/Secretary -Treasurer

**TO: NIAGARA CATHOLIC DISTRICT SCHOOL BOARD
BOARD MEETING
OCTOBER 27, 2015**

PUBLIC SESSION

**TITLE: APPROVED MINUTES OF THE SPECIAL EDUCATION
ADVISORY COMMITTEE (SEAC) MEETING OF
SEPTEMBER 9, 2015**

RECOMMENDATION

THAT the Niagara Catholic District School Board receive the Approved Minutes of the Special Education Advisory Committee Meeting of September 9, 2015 as presented for information.



NIAGARA CATHOLIC
DISTRICT SCHOOL BOARD

MINUTES OF THE SPECIAL EDUCATION ADVISORY COMMITTEE MEETING WEDNESDAY, SEPTEMBER 9, 2015

Minutes of the Meeting of the Special Education Advisory Committee, held on Wednesday, September 9, 2015, at 7:00 p.m. in the Father Kenneth Burns csc Board Room, at the Catholic Education Centre, 427 Rice Road, Welland.

The meeting was called to order at 7:00 p.m. by Chair Racine

A. ROUTINE MATTERS

1. Opening Prayer

Opening Prayers were led by Chair Racine

2. Roll Call

Members	Affiliations	Present	Excused	Absent
Anna Racine	The Tourette Syndrome Association of Ontario	✓		
Rob Lavorato	Down Syndrome Caring Parents (Niagara)	✓		
Carol Baldinelli	VOICE for Hearing Impaired Children			✓
Sarah Farrell	Learning Disabilities Association – Niagara	✓		
Bill Helmeczi	Pathstone Mental Health		✓	
Andrew Howcroft	Community Living Welland Pelham	✓		
Trustees				
Pat Vernal		✓		
Maurice Charbonneau			✓	
Student Senate Representative				
Taylor Timoney		✓		

The following staff were in attendance:

Yolanda Baldasaro, Superintendent of Education; **Colleen Atkinson**, Special Education Coordinator; **Jim Whittard**, Principal – Secondary; **Lisa Selman**, Principal – Elementary; **Tina DiFrancesco**, Recording Secretary

Introductions

Chair Racine introduced Taylor Timoney, new Student Senate Representative on the Special Education Advisory Committee.

3. Approval of the Agenda

Moved by Rob Lavorato
Seconded by Sarah Farrell

THAT the Special Education Advisory Committee approve the Agenda of the Special Education Advisory Committee Meeting of September 9, 2015.

CARRIED

4. Disclosure of Interest

No Disclosures of Interest were declared with any items on the agenda.

5. Approval of Minutes of the Special Education Advisory Committee Meeting of June 3, 2015

Moved by Rob Lavorato
Seconded by Sarah Farrell

THAT the Special Education Advisory Committee approve the Minutes of the Special Education Advisory Committee Meeting of June 3, 2015 as presented.

CARRIED

B. PRESENTATIONS

C. VISIONING

1. Goals and Vision for 2014-2015

1.1 Goals for 2014-2015 – SEAC Presentation at the New Teacher Induction Program

A discussion was held regarding SEAC's goal to do a presentation at the NTIP. SEAC members provided suggestions regarding the content of the PowerPoint presentation in preparation for the upcoming presentation at the New Teacher Induction program. Further discussion will be held at the October meeting to finalize the details of the presentation.

1.2 Goals for the 2015-2016 School Year

A discussion was held regarding ideas for potential goals for the 2015-2016 school year. Suggestions were made regarding SEAC's participation in Faith Formation and a SEAC presentation at a Student Senate meeting. Chair Racine suggested that any further ideas be brought forward to a future meeting.

D. BUSINESS ARISING FROM THE MINUTES OF THE MEETING OF JUNE 3, 2015

1. **Learner Advocacy**
2. **Parent Outreach**
3. **Program and Service Recommendations**
4. **Special Education Budget**
5. **Annual Review, Special Education Plan**
 - Copies of the Special Education Plan, *Building Bridges to Services 2015 and Beyond* were handed out to all SEAC members. Superintendent Baldasaro informed SEAC members that their recommendations have been incorporated in the plan. The plan will continue to be streamlined throughout the school year with the participation of the SEAC members.
6. **Other Related Items**
7. **Policy Review**

E. SEAC REPORT

1. **Review and Approval of SEAC Insert for Catholic School Council Agenda**
 - The September SEAC insert regarding general information about the SEAC, meeting dates and location will be sent out to Principals to include in their Catholic School Council agenda.
2. **Review and Approval of SEAC Insert for School Newsletters**
 - The September SEAC insert regarding general information about the SEAC, meeting dates and location will be sent out to Principals to include in their school newsletter.

F. AGENCY REPORTS

1. **VOICE for Hearing Impaired Children – Carol Baldinelli**
 - Nil Report

2. Down Syndrome Caring Parents (Niagara) – Rob Lavorato

- Down Syndrome picnic was held in August at Fireman’s Park in Niagara Falls. New families were in attendance with approximately 80-100 people in total.
- September 19 – Buddy Walk.
- October 30 – Halloween Dance.
- 1st week of November is Down Syndrome Awareness Week.

3. The Tourette Syndrome Association of Ontario – Anna Racine

- The Tourette Syndrome Association of Ontario (Niagara Chapter) will be having monthly support group meetings from 7:00p.m. to 9:00p.m. as follows;
 - September 1, 2015
 - October 6, 2015
 - November 3, 2015
 - December 1, 2015
 - January 5, 2016
 - February 2, 2016
 - March 1, 2016
 - April 5, 2016
 - May 3, 2016
 - June 7, 2016
- This is an opportunity for members to share similar experiences, to support one another and exchange information and ideas and by doing so this will strengthen their capacity to cope. All meetings will take place at the MacBain Community Centre, (Community Board Room), 7150 Montrose Road, Niagara Falls, Ontario. For information please call 905-358-3412.

4. Learning Disabilities Association (Niagara) – Sarah Farrell

- Our full day summer literacy program, SLAM ran successfully this summer! We ran the program for 7 weeks in St. Catharines, 3 weeks in Welland and 3 weeks in Niagara Falls. The program was filled up in the Spring/early Summer. In total, 173 SLAM participant spots were filled; without counting participants twice, 66 different children participated this summer! It was great to see many children return weekly for ongoing support.
- We are planning for our upcoming Fall programs. We will be running our various literacy and social skills programs, Reading Rocks, Reading Rocks Jr. and BEST starting October 5 – December 3, 2015. Applications are being accepted until September 21 and there are limited spots! To apply, please complete the Program Application Form at www.Ldaniagara.org.
- We are currently recruiting volunteers for our Fall literacy and social skills programs. This is great hands-on experience for those seeking teaching experience or wanting to give back to the community. Those that are interested are encouraged to complete a Volunteer Intake Form at www.Ldaniagara.org.
- We will be holding our Open House and Annual General Meeting on Thursday, September 24, 2015. This will be an opportunity to reflect on the past, check in on the present and look forward to the future at LDANR! Come out and mingle with the Board of Directors, staff, volunteers and members. Hors D'oeuvres will be provided.
 - Thursday, Sept. 24th, 2015

- 6:00p.m. start; Annual Meeting at 6:30p.m.
- Silver Spire Church (366 St. Paul Street, E., St. Catharines)
- **RSVP to Ldaniagara@cogeco.net.**
- October is LD Awareness Month.
- The “Diagnostic and Statistical Manual” or DSM is a manual for use by physicians as well as other health and mental health professionals. Its purpose is to provide clear descriptions of diagnostic categories in order to enable medical clinicians and investigators to diagnose, communicate, study, and treat people with specific disorders. The latest version, DSM 5, for the first time contains the category **Specific Learning Disorder**, and this has been causing some confusion. Access to special education through the IPRC process does not require or depend on a diagnosis, and the definition to be used for **identification** under Learning Disability is part of the new PPM released in August 2014, [Policy/Program Memorandum 8: Identification of and Program Planning for Students with Learning Disabilities.](#)
- However, psychologists or psychological associates who assess students may make a diagnosis. To address some of the confusion about the difference between a diagnosis of a *specific learning disorder* and diagnosis of *learning disabilities*, LDAO has put together the attached information article, **LDAO Definition and DSM 5.**

5. **Pathstone Mental Health – Bill Helmeczi**

- Nil Report

6. **Community Living Welland Pelham – Andrew Howcroft**

- The article entitled “*What is your Personal Mission Statement*”, by Al Condeluci was addressed and will be included in the October agenda package.

G. STAFF REPORTS

1. **Lisa Selman – Principal, Elementary**

- It’s been a very smooth transition to the new school year.
- Some schools ran a summer learning program – 9:00a.m.-3:00p.m. for 3 weeks. The focus of the program was on numeracy, literacy, building children’s self-confidence and parent engagement.

2. **Jim Whittard – Principal, Secondary**

- Students are excited to be back.
- School improvement planning is happening
- Transitions continue for students and families.

3. Yolanda Baldasaro – Superintendent of Education

- September 3 – Professional Development Day; focusing on school improvement planning.
- September 8 - First day of school – Senior Administrative staff visited schools.
- There is a new Faith Formation logo this year entitled, *Know, Love, Serve Him: One Family in Christ.*

4. Colleen Atkinson – Coordinator Special Education

- Special Education staff visited schools on the first day to provide support.
- September 10 – Educational Resource Teacher meeting. This year we are increasing the number of meetings to focus on Professional Development.

H. TRUSTEE REPORTS

1. Pat Vernal – Trustee

- Nil Report

2. Maurice Charbonneau – Trustee

- Nil Report

I. STUDENT REPORT

1. Taylor Timoney – Student Senate Representative

- Nil Report

J. NCPIC REPORT

- NCPIC is currently working on the next ProGrant being used for a Family Games Night. Each of the eight secondary schools have dates scheduled this September and October for their family of schools to attend this workshop which will include a games night box inclusive of activities for the family. The first Games Night will be held at Holy Cross Catholic Secondary school on September 29.

K. NEW BUSINESS

1. Learner Advocacy

3. Parent Outreach

3. **Program and Service Recommendations**

4. **Special Education Budget**

5. **Annual Review, Special Education Plan**

6. **Other Related Items**

6.1 2015-2016 School Year Calendar

The 2015-2016 School Year Calendar was presented for information.

6.2 2015-2016 System Priorities

The 2015-2016 System Priorities were presented for information.

6.3 Multi Year Accessibility Plan 2015

The Multi Year Accessibility Plan 2015 was presented for information.

6.4 Federal Election Administrative Procedures – October 19, 2015

The Federal Election Administrative Procedures were presented for information and review. Superintendent Baldasaro reminded everyone of the expectations of the Niagara Catholic Special Education Advisory Committee during this time.

6.5 Electronic SEAC Agenda

Superintendent Baldasaro informed SEAC members that the Board is changing to an electronic agenda through a secure portal. Members may need to bring in their own devices in order to access the portal. Further information is forthcoming.

7. **Policy Review**

L. CORRESPONDENCE

1. Chair Racine informed the SEAC members that a letter has been received from St. John Ambulance Saint-Jean, Chair A Van Division regarding the appointment of a new representative to serve on the Niagara Catholic Special Education Advisory Committee.

Moved by Rob Lavorato
Seconded by Sarah Farrell

THAT the Niagara Catholic Special Education Advisory Committee appoint the following local association representative to serve as a Special Education Advisory Committee member for the term of 2015-2018: Mary Mannella-Byers – St. John Ambulance Saint Jean, Chair a Van Division.

CARRIED

2. New correspondence was received and will be included in the October agenda.

M. QUESTION PERIOD

N. NOTICES OF MOTION

O. AGENDA ITEMS – DISCUSSION FOR FUTURE MEETINGS

1. Special Needs Strategy
2. Highlight students/schools in the system
3. Fetal Alcohol Spectrum Disorder (FASD) Presentation - October
4. Faith Formation – Board Chaplaincy Leader

P. INFORMATION ITEMS

Q. NEXT MEETING:

Wednesday, October 7, 2015 at 7:00p.m. at the Catholic Education Centre

R. ADJOURNMENT

Moved by Rob Lavorato

Seconded by Andrew Howcroft

THAT the September 9, 2015 meeting of the Special Education Advisory Committee be adjourned.

CARRIED

This meeting was adjourned at 9:00p.m.

**TO: NIAGARA CATHOLIC DISTRICT SCHOOL BOARD
BOARD MEETING
OCTOBER 27, 2015**

PUBLIC SESSION

**TITLE: AWARD OF CONSTRUCTION CONTRACT FOR NEW
ST. MARTIN CATHOLIC ELEMENTARY SCHOOL**

RECOMMENDATION

THAT the Niagara Catholic District School Board approve the Award of Construction Contract for the new St. Martin Catholic Elementary School to Brouwer Construction (1981) Ltd., as presented

Prepared by: Scott Whitwell, Controller of Facilities Services

Presented by: Scott Whitwell, Controller of Facilities Services

Approved by: John Crocco, Director of Education/Secretary-Treasurer

Date: October 27, 2015



**REPORT TO THE BOARD MEETING
OCTOBER 27, 2015**

**AWARD OF CONSTRUCTION CONTRACT FOR NEW
ST. MARTIN CATHOLIC ELEMENTARY SCHOOL**

BACKGROUND INFORMATION

The Ministry of Education (MOE) approved* \$12,604,289 (*an additional \$479,925 to address ELKP growth is included in this figure – MOE approval of this amount is expected soon) to construct a new St. Martin Catholic Elementary School to replace the existing school.

FUNDING

\$2,305,000	Land, re-zoning and site funding
<u>\$10,299,289</u>	Construction funding
\$12,604,289	TOTAL

This project was re-tendered (original tender amount was too high) with a closing date of July 30, 2015. MMMC Architects was the architectural firm for this project.

Please see attached Appendix A (Site Plan) and Appendix B (Floor Plan) to see the scope of work for this project.

It is recommended that Brouwer Construction (1981) Ltd., who was low bidder, be awarded the construction contract for this project.

SCHOOL NAME	ARCHITECT	RECOMMENDED CONTRACTOR	CONSTRUCTION FUNDING ALLOCATION	TOTAL PROJECT COST
New St. Martin Catholic Elementary School	MMMC Architects	Brouwer Construction (1981) Ltd.	\$10,299,289	\$10,299,289

TOTAL PROJECT COST

Construction & Contingency	\$7,744,784
Consultant Fees & Disbursements	\$917,541
Other Project Costs	\$1,343,764
Site Costs	\$293,200
TOTAL	\$10,299,289

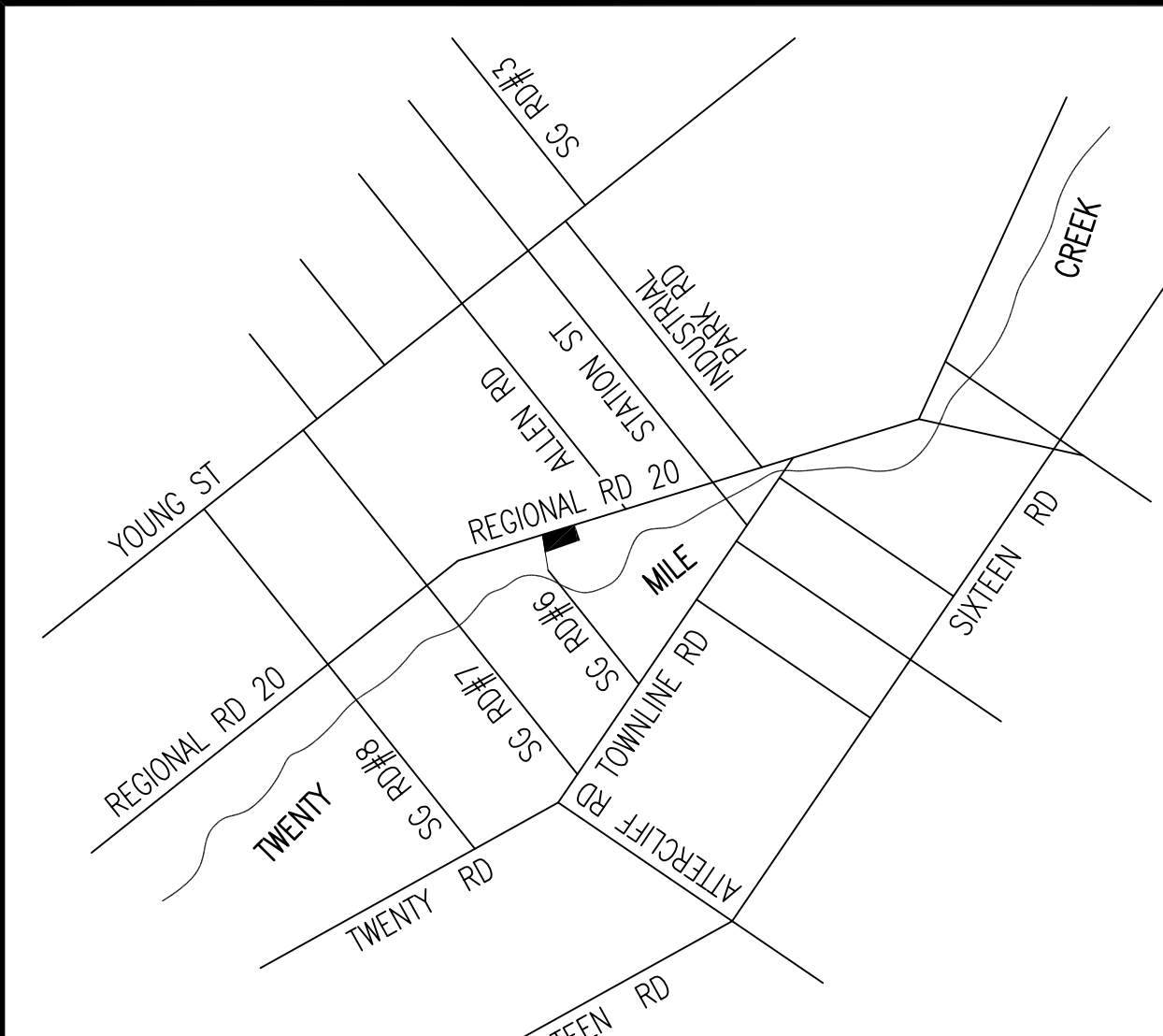
Please note that proceeding with this project is also contingent on MOE approval.

It is the recommendation of the Director of Education and the Controller of Facilities Services in consultation with the project architect that the Niagara Catholic District School Board approve the award of construction contract to Brouwer Construction (1981) Ltd.

RECOMMENDATION

THAT the Niagara Catholic District School Board approve the Award of Construction Contract for the new St. Martin Catholic Elementary School to Brouwer Construction (1981) Ltd., as presented

Prepared by: Scott Whitwell, Controller of Facilities Services
Presented by: Scott Whitwell, Controller of Facilities Services
Recommended by: John Crocco, Director of Education/Secretary-Treasurer
Date: October 27, 2015



SITE / ZONING DATA

ZONE	INSTITUTIONAL 1
SITE AREA	24,825 M ² 100.0%
BUILDING AREA	4,094 M ² 17%
PARKING AREA	3,830 M ² 15%
LANDSCAPE AREA	16,901 M ² 68%
BUILDING HEIGHT	PERMITTED: 12 m ACTUAL: 10.5 m
VEHICULAR PARKING REQUIREMENTS	
1.5 PARKING SPACES PER CLASSROOM	33 PARKING SPACES
1 PARKING SPACE PER 28.0 M ² OF DAYCARE AREA	2 PARKING SPACES
1 PARKING SPACE PER 9.0 M ² FOR GYMNASIUM	39 PARKING SPACES
TOTAL PARKING REQUIRED:	74 PARKING SPACES
TOTAL PARKING PROVIDED:	81 PARKING SPACES

OWNER INFORMATION
Niagara Catholic District School Board
427 Rice Road, Welland, ON, L3C 7C1

LEGAL DESCRIPTION
PART OF LOT 1, REGISTERED PLAN M-98, TOWNSHIP OF WEST LINCOLN

MUNICIPAL ADDRESS
St. Martin Catholic Elementary School
Streamside Drive, Smithville, ON.

- LEGEND PROPOSED SITE FEATURES**
- FIRE ROUTE SIGNAGE
 - ACCESSIBLE PARKING SIGNAGE
 - TRAFFIC CONTROL SIGNAGE - SEE SPECIFICATIONS
 - DROP CURB
 - BOREHOLE LOCATION REFER TO GEOTECH REPORT
 - PAVEMENT MARKINGS
 - LIGHT DUTY ASPHALT PARKING DRIVEWAY
 - HEAVY DUTY ASPHALT PARKING DRIVEWAY
 - 1.8M CHAIN LINK FENCE - PROPOSED
 - 1.2M ORNAMENTAL FENCE - PROPOSED
 - 1.8M CHAIN LINK FENCE - PROPOSED
 - FLAGPOLE - PROPOSED
 - FIRE HYDRANT - PROPOSED
 - CATCH BASIN - PROPOSED
 - CATCH BASIN MANHOLE - PROPOSED
 - MANHOLE - PROPOSED
 - WATER VALVE - PROPOSED
- LEGEND EXISTING SITE FEATURES**
- HYDRO POLE - EXISTING
 - HYDRO LINE - EXISTING
 - WATER VALVE - EXISTING
 - FIRE HYDRANT - EXISTING
 - FLAG POLE - EXISTING
 - LIGHT STANDARD - EXISTING
 - CATCH BASIN / MANHOLE - EXISTING
 - WATER LINE - EXISTING
 - CABLE PEDESTAL - EXISTING TO BE RELOCATED
- SURVEYOR BENCHMARK**
ELEVATIONS HEREON ARE GEODETIC AND ARE REFERRED TO THE MTO BENCHMARK No 000819708342 BEING A TABLET SET HORIZONTALLY IN THE EAST FACE OF FOUNDATION OF A HOUSE LOCATED ON THE SOUTH SIDE OF HIGHWAY 20, 41.8 METRES WEST OF SOUTH GRIMSBY ROAD No 5. ELEVATION = 191.50 METRES.



H/C SIGN DETAIL
N.T.S.

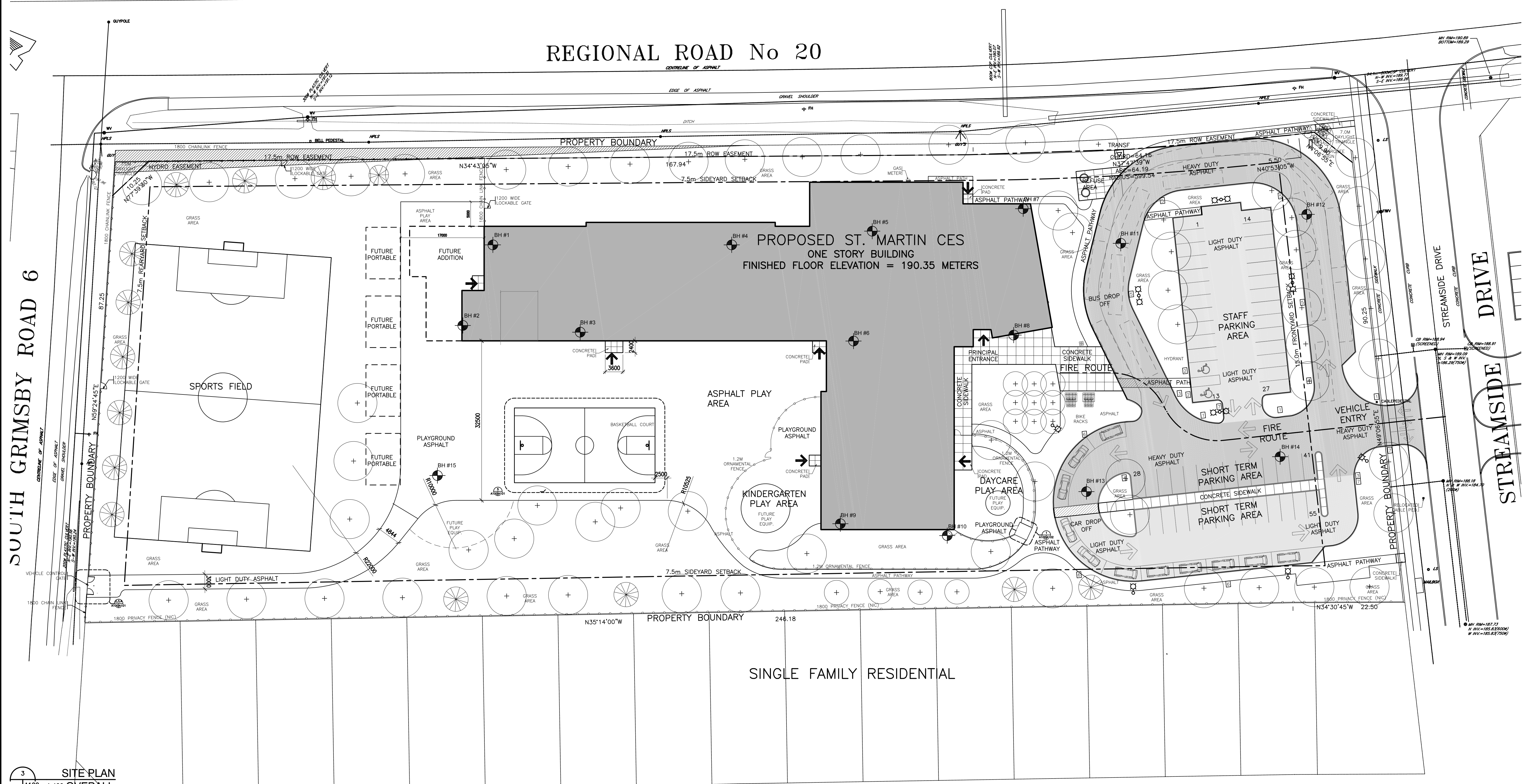


FIRE ROUTE SIGN DETAIL
N.T.S.

1 KEY PLAN
A100 NTS

2 SITE STATISTICS
A100

4 DRAWING LEGEND
A100



3 SITE PLAN
A100 1:400 OVERALL

Contractor must verify all dimensions on the job and report any discrepancy to architects before proceeding with the work.
All drawings and specifications are instruments of service and the property of the architects, and must be returned at the completion of the work.

Key to detail location

No.	Detail number
No./No.	Where called / Where drawn

Prints issued to

Particulars	No.	Date	By
SITE PLAN APPROVAL RESUBMISSION	01	2015.03.24	GP
BID & BUILDING PERMIT APPLICATION	02	2015.07.09	GP

Revisions to drawing

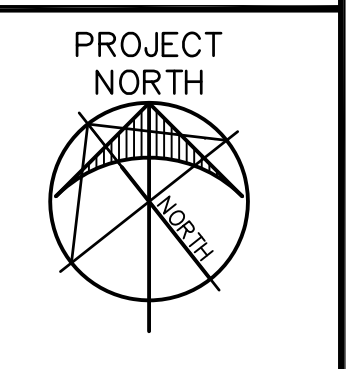
Particulars	No.	Date	By
All previous issues of this drawing are superseded.			

127 Brant Avenue
Bramford, Ontario
N3T 3H5
Tel: 1.519.756.6331
Fax: 1.519.756.7631



290 King Street East,
Suite 201
Kitchener, Ontario
N2G 2L3
Tel: 1.519.575.2927
Fax: 1.519.756.7631

Email: arch@mmmc.on.ca



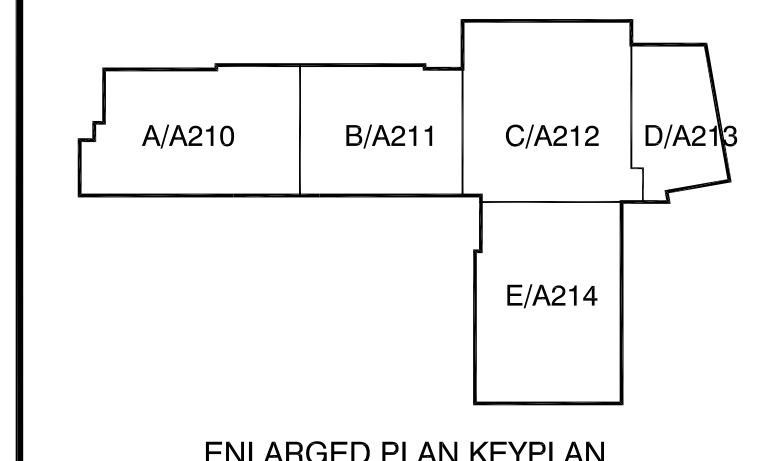
Project title
ST. MARTIN CATHOLIC ELEMENTARY SCHOOL
Niagara Catholic District School Board
SMITHVILLE ONTARIO

Project number	Date issued	Scale
1208	2013.09.25	1:400 METRIC
Sheet title	Drawn by	Date
SITE PLAN	GP	Sept. 2013

Sheet title
SITE PLAN
A100

Contractor must verify all dimensions on the job and report any discrepancy to architects before proceeding with the work.
All drawings and specifications are instruments of service and the property of the architects, and must be returned at the completion of the work.

Key to detail location	
No. / No. No.	Detail number / Where called / Where drawn



Prints issued to

Particulars	No.	Date	By
ISSUED FOR CLIENT REVIEW	01	2015.02.26	GP
BID & BUILDING PERMIT APPLICATION	02	2015.07.09	GP

Particulars	No.	Date	By
Revisions to drawing			

All previous issues of this drawing are superseded.

127 Brant Avenue
Bramford, Ontario
N3T 3H5
Tel: 1.519.756.6331
Tel: 1.877.789.6662

290 King Street East,
Suite 201
Niagara Falls, Ontario
N2G 2L3
Tel: 1.519.575.2227

Email: info@mmmc.on.ca

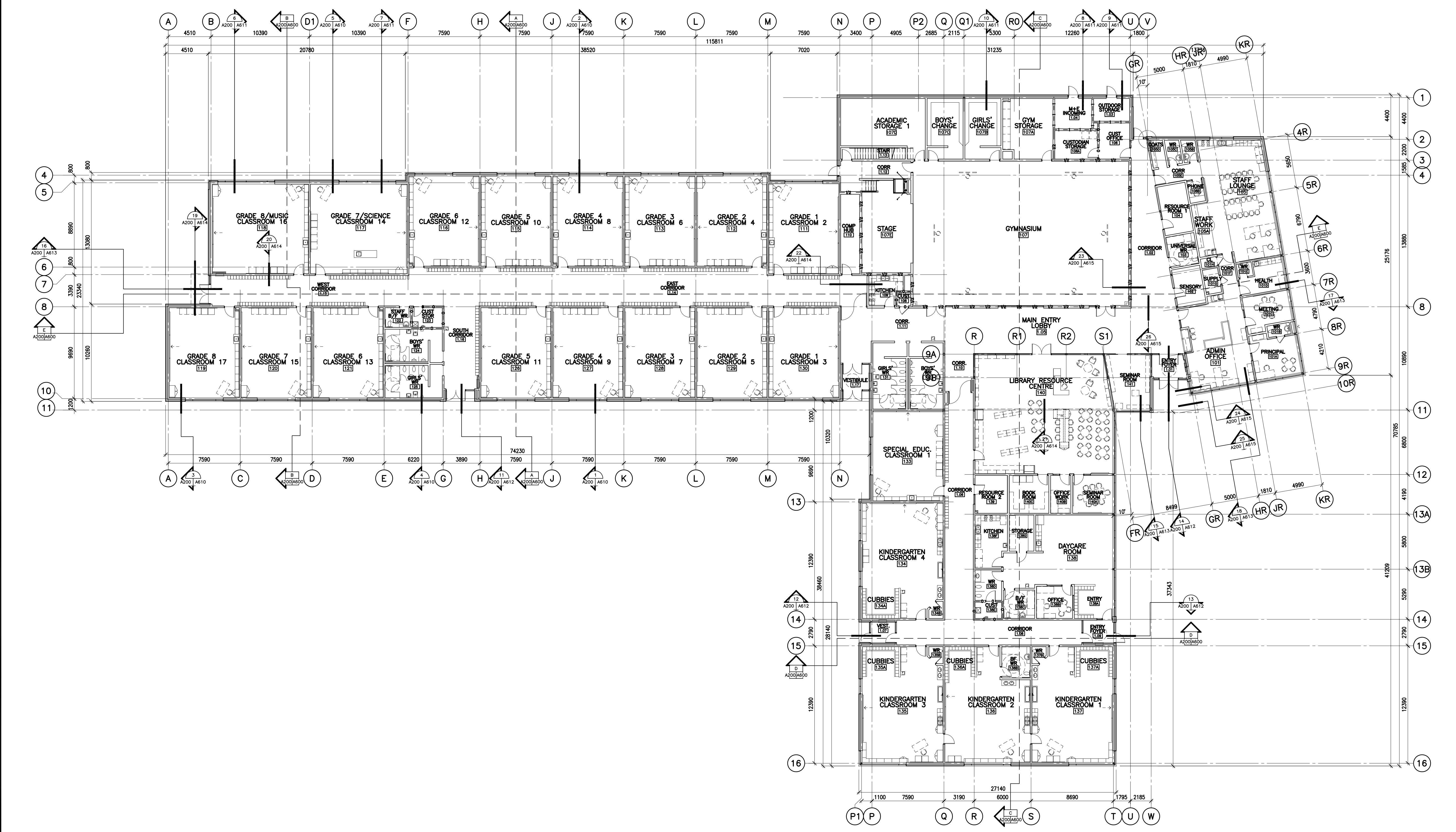
ONTARIO ASSOCIATION OF ARCHITECTS
Licence 5488
GREGORY HAY PESTE

PROJECT NORTH

Project title
ST. MARTIN CATHOLIC ELEMENTARY SCHOOL
Niagara Catholic District School Board
SMITHVILLE ONTARIO

Project number 1208	Date issued	Scale
Drawn by	Date	

Sheet title OVERALL GROUND FLOOR PLAN	Drawing no. A200
--	----------------------------



1 OVERALL GROUND FLOOR PLAN
A200 1:200

**TO: NIAGARA CATHOLIC DISTRICT SCHOOL BOARD
BOARD MEETING
OCTOBER 27, 2015**

PUBLIC SESSION

**TITLE: EXTENDED OVERNIGHT FIELD TRIP, EXCURSION AND
EXCHANGE APPROVAL COMMITTEE 2015 - 2016**

The Extended Overnight Field Trip, Excursion and Exchange Approval Committee 2015-2016 report is presented for information.

Prepared by: Mark Lefebvre, Superintendent of Education

Presented by: Mark Lefebvre, Superintendent of Education

Approved by: John Crocco, Director of Education/Secretary-Treasurer

Date: October 27, 2015



REPORT TO THE BOARD OCTOBER 27, 2015

EXTENDED OVERNIGHT FIELD TRIP, EXCURSION AND EXCHANGE APPROVAL COMMITTEE 2015 - 2016

BACKGROUND INFORMATION

The Extended Overnight Field Trip, Excursion and Exchange Approval Committee continues to review proposals for 2015-2016 extended overnight field trips, excursions and exchanges as submitted to date. The composition of the approval Committee is as follows:

1 Supervisory Officer	-	Mark Lefebvre
1 Secondary School Vice-Principal	-	Andrew Bartley
1 Secondary School Principal	-	Jeff Smith
1 Elementary School Principal	-	Steve Ward
1 Program Department Consultant	-	Mike Sheahan

As defined in the Niagara Catholic Educational Field Trip Policy (400.2) Administrative Guidelines, an Extended Overnight Field Trip is:

- “Any school/board sponsored and supervised activity, on scheduled instructional days, beyond the school property that requires four or five more night lodgings”
or
- “Requiring an individual flight ticket of \$600.00 or more.” (Part II, A.4)

An Excursion is defined as follows:

- “A trip not directly linked to specific subject curriculum expectations, but provided to enrich a student’s overall Catholic education. An excursion is a trip that is planned and arranged for secondary school students that would be held during the year when the students are not normally expected to be attending classes and that does not adhere to all guidelines and procedures relating to Educational Field Trips.” (Part II, A.5)

Attached to this information report is an Executive Summary of a 2015-2016 Extended Overnight Field Trip as submitted on Tuesday, October 27, 2015. (Appendix A)

The Extended Overnight Field Trip, Excursion and Exchange Approval Committee 2015-2016
report is presented for information.

Prepared by: Mark Lefebvre, Superintendent of Education

Presented by: Mark Lefebvre, Superintended of Education

Approved by: John Crocco, Director of Education/Secretary-Treasurer

Date: October 27, 2015

EXECUTIVE SUMMARY

Appendix A

Extended Overnight Field Trip, Excursion and Exchange Committee Approval – 2015-2016

SCHOOL	TYPE	APPROVAL REQUIRED	DESTINATION	CURRICULUM UNIT/THEME	EDUCATION VALUE	DATE	NUMBER OF STUDENTS, STAFF & CHAPERONES ON TRIP	DURATION	COST (APPROX)	TRANSPORTATION
Holy Cross Catholic Secondary School	Extended Overnight Field Trip	Superintendent and Extended Overnight Field Trip Committee	Jalapa Guatemala	Religion/Social Justice	Participants will gain an understanding of the challenges faced by individuals living in poverty, as well as learn how they can strive for social justice on a global scale	Tuesday, March 29, 2016 to Thursday, April 7, 2016 Includes Mass participation	10-12 students 1 staff 1 chaperone (Unpaid)	10 days 9 nights 8 school days	\$2113.00 – Airfare, transportation, accommodations, tips and donations in Guatemala Personal spending money	Air
Saint Paul Catholic High School	Extended Overnight Field Trip	Superintendent and Extended Overnight Field Trip Committee	Lima and Cusco, Peru	Religion/Social Justice	This program will provide students with a meaningful opportunity for international exposure, and developing of their faith, personal skills and leadership. Typically, Catholic students return to Canada with a renewed pride of being Catholic, an expanded view of the world, critical thinking skills, and a renewed desire to participate in local social justice initiatives.	Monday, February 22, 2016 to Friday, March 4, 2016 Includes Mass participation	15 students 2 staff 1 chaperone (Unpaid)	12 days 11 nights 10 school days	\$2800.00 – Airfare, transportation, meals, cultural excursions, facilitation, Spanish classes, health insurance. \$50.00 additional costs – lunch and dinner - Personal spending money	Air

**TO: NIAGARA CATHOLIC DISTRICT SCHOOL BOARD
BOARD MEETING
OCTOBER 27, 2015**

PUBLIC SESSION

**TITLE: FINANCIAL REPORTS
UNAUDITED INTERIM STATEMENT OF OPERATIONS
AS AT AUGUST 30, 2015**

RECOMMENDATION

THAT the Niagara Catholic District School Board approve the Unaudited Interim Statement of Operations as at August 30, 2015, as presented.

Prepared by: Rosa Rocca, Controller of Business and Financial Services

Presented by: Giancarlo Vetrone, Superintendent of Business & Financial Services

Recommended by: John Crocco, Director of Education/Secretary-Treasurer

Date: October 27, 2015



REPORT TO THE BOARD OCTOBER 27, 2015

UNAUDITED INTERIM STATEMENT OF OPERATIONS

BACKGROUND INFORMATION

In accordance with the Monthly Financial Reports Policy Statement, a summarized Unaudited Interim Statement of Operations as at August 30, 2015 is presented to the Board at the October Board Meeting. (See Appendix A)

As required by the Policy, a copy of the Interim Statement is available in the Holy Cross Community Room for the Trustees to review at their convenience.

RECOMMENDATION

THAT the Niagara Catholic District School Board approve the Unaudited Interim Statement of Operations as at August 30, 2015, as presented.

Prepared by: Rosa Rocca, Controller of Business and Financial Services

Presented by: Giancarlo Vetrone, Superintendent of Business & Financial Services

Recommended by: John Crocco, Director of Education/Secretary-Treasurer

Date: October 27, 2015

**NIAGARA CATHOLIC DISTRICT SCHOOL BOARD
UNAUDITED INTERIM STATEMENT OF OPERATIONS
AS AT AUGUST 31, 2015**

For presentation at Board Meeting on October 27, 2015

ACCOUNT DESCRIPTION	2014-15 ANNUAL BUDGET	2014-15 ACTUAL As at August 31	2013-14 ACTUAL As at August 31	% CHANGE FROM PRIOR YEAR
TOTAL REVENUES	261,400,409	265,465,973	261,670,651	↑ 1.54%
EXPENDITURES				
BOARD ADMINISTRATION	7,655,834	8,640,185	8,346,579	↑ 3.52%
ELEMENTARY SCHOOLS	127,913,433	129,859,737	128,254,476	↑ 1.31%
SECONDARY SCHOOLS	67,604,393	68,522,923	68,635,912	↓ -0.09%
CONTINUING EDUCATION	5,503,096	5,377,398	5,928,129	↓ -9.29%
PLANT OPERATIONS	18,216,755	18,484,854	18,286,578	↑ 1.38%
PLANT MAINTENANCE	4,114,189	3,440,591	3,624,584	↓ -5.08%
TRANSPORTATION	9,721,049	9,821,209	10,003,786	↓ -1.83%
TOTAL OPERATING EXPENDITURES	240,728,749	244,146,897	243,080,044	↑ 0.52%
AMORTIZATION	10,630,054	10,068,004	9,435,325	↑ 6.71%
SCHOOL-FUNDED ACTIVITIES	8,065,000	8,430,726	8,032,644	↑ 4.96%
INTEREST EXPENSES	4,387,687	4,315,103	4,604,486	↓ -6.28%
OTHER	117,487	117,487	117,487	→ 0.00%
TOTAL EXPENDITURES	263,928,977	267,078,217	265,269,986	↑ 0.75%
NET SURPLUS/(DEFICIT)	-2,528,568	-1,612,244	-3,599,335	↓ -56.40%
ADJUSTMENTS FOR COMPLIANCE PURPOSES				
AMORTIZATION OF EMPLOYEE FUTURE BENEFITS	958,265	941,884	808,600	↑ 16.48%
INTEREST TO BE ACCRUED		79,944	142,426	↓ -43.87%
SCHOOL GENERATED FUNDS		(55,997)	(48,483)	↑ 15.50%
REVENUE RECOGNIZED FOR LAND		193,808	(34,036)	↓ -669.42%
NET SURPLUS/(DEFICIT) FOR COMPLIANCE	-3,486,833	-2,771,883	-4,467,842	↓ -38.92%

Variance Analysis of Expenditures as at August 31, 2015

- Revenue** - Increase in revenues is due to an increase in the pupil foundation allocation (increase in FTE relating to full implementation of ELKP), special education allocation, as well as the teacher qualification and experience allocation.
- Board Administration** - Current period includes the unforeseen costs relating to building maintenance and information technology. With aging facility, and outdated technology, additional costs in these areas were deemed a necessity.
- Elementary Schools** - Variance in this category is mostly due to increase in the cost of occasional teachers, as well as teacher assistants (EA's and ECE's)
- Secondary Schools** - Savings were seen in the area of teacher replacement costs when compared to the prior period.
Current period also includes realignment of costs from Board Administration and Elementary panels to better reflect distribution of costs
- Continuing Education** - Savings were seen in the areas of classroom instructor costs and classroom supplies when compared to prior period.
- Plant Operations** - Current year variances are considered reasonable and consistent with both prior year and budget.
- Plant Maintenance** - Savings were seen in the area of building maintenance when compared to prior period.
- Transportation** - Current year expenditures are comparable to budget. Savings when compared to prior year are due to recognized efficiencies in the transportation consortium.

**TO: NIAGARA CATHOLIC DISTRICT SCHOOL BOARD
BOARD MEETING
OCTOBER 27, 2015**

PUBLIC SESSION

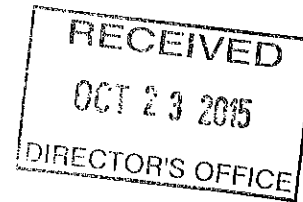
**TOPIC: CORRESPONDENCE
OCTOBER 20, 2015 NIAGARA POVERTY REDUCTION
NETWORK LETTER**



NIAGARA POVERTY REDUCTION NETWORK

October 20, 2015

Mr. John Crocco
Director of Education and Secretary-Treasurer
Niagara Catholic District School Board
427 Rice Road, Welland ON L3C 7C1



Dear Mr. Crocco,

On behalf of the Niagara Poverty Reduction Network (NPRN), it gives us pleasure to write this thank you letter. The Niagara Catholic District School Board's commitment to reducing poverty in Niagara is to be commended.

Since the creation of the NPRN and before, during our time as the Niagara Prosperity Initiative Advisory Council, NCDSB has opened their doors to us. This has been appreciated by each member of NPRN. We are truly thankful for the use of the boardroom and the refreshments that you supply each month as we are very much aware of the value of this in-kind contribution.

The NCDSB has not only talked the talk about poverty reduction, you have walked the walk through not only the meeting space and in-class discussions but through the contribution of a staff member—Deb Ogilvie. Deb has been an active member of NPRN sitting on the Engagement committee and always happy to help in supporting our vision of having all Niagara residents living above the poverty line.

We are aware that Deb would not go out of her way were it not for the culture of the workplace. The development of such a culture begins at the top from the leadership. We thank you personally for your role in this.

As we all work collectively to make Niagara more prosperous, we commend NCDSB and your contribution to date and look forward to continuing to work together.

Thank you,

A handwritten signature in black ink, appearing to read "Elisabeth Zimmerman".

Elisabeth Zimmerman
Niagara Poverty Reduction Network Chair

A handwritten signature in black ink, appearing to read "Willy Noiles".

Willy Noiles
Niagara Poverty Reduction Network Vice-Chair

NIAGARA POVERTY REDUCTION NETWORK

www.WipeOutPoverty.ca

c/o United Way Niagara Falls and Greater Fort Erie

7150 Montrose Road, Niagara Falls ON L2H 3N3 phone: 905-354-9342 email: info@wipeoutpoverty.ca

**TO: NIAGARA CATHOLIC DISTRICT SCHOOL BOARD
BOARD MEETING
OCTOBER 27, 2015**

PUBLIC SESSION

**TOPIC: TRUSTEE INFORMATION
SPOTLIGHT ON NIAGARA CATHOLIC – OCTOBER 13, 2015**



October 13 2015

Niagara Catholic Continues to Exceed Provincial Averages in EQAO Assessments

The Education Quality and Accountability Office (EQAO) has released the assessment results for Grade 10 students, who wrote the Ontario Secondary School Literacy Test (OSSLT) in March, 2015, including the results for the Niagara Catholic District School Board.

Ninety-three per cent of students in Ontario fully participated in the OSSLT in their Grade 10 year, and 82 per cent successfully completed the test.

Ninety-two per cent of Niagara Catholic's Grade 10 students participated in the annual literacy test in the spring of 2015, and 88 per cent successfully completed it. Niagara Catholic's results were again higher than the provincial average, and are an increase from last year's assessment. Niagara Catholic's 2015 OSSLT results are available online.

Board Chair Father Paul MacNeil said this year's result is the culmination of many years of partnerships, all aimed at ensuring students meet their full potential. *"We at Niagara Catholic are most grateful for all our partnerships, including parents, teachers, support staff and volunteers who play such an important role in student success,"* said Father MacNeil. *"We will use the data released today to help us make wise, fact-based decisions. At the same time, we also believe that every student - and indeed every partner - is a child of God with their own unique gifts and talents, and they are meant to shine brighter than any data point can ever show. These two principles - wise use of data and the uniqueness of each student - will continue to enrich every relationship, guide every decision and help us remain committed to the well-being of every individual at Niagara Catholic."*

Director of Education John Crocco congratulated the students and staff for their focused work which results in student success throughout the year.

"At Niagara Catholic, we are extremely proud of the exemplary Catholic leadership of our school and system administrators, the dedication and skills of our talented staff and the commitment of our students to academic excellence" said Mr. Crocco. *"The OSSLT is a requirement for all Ontario students to receive their Ontario Secondary School*

Graduation Diploma, and is one of the many pieces of evidence that Niagara Catholic uses as a system, and schools use individually, to measure student achievement. Combined with other data, assessments, and the important interactive dialogue with students, parents and staff throughout the school year, this provides consistent opportunities for feedback and planning to design and provide programs and services for the success of all students in all schools throughout the Niagara Catholic District School Board."

Making Math Meaningful



Niagara Catholic's Mathematics team has been introducing a comprehensive Mathematics program, modelled after the School Effectiveness Framework. This framework encompasses all the components required to deliver an effective Mathematics program at any level, and focuses on an entire Mathematics program, rather than any one aspect in a Mathematics program. This provides a "big picture" for staff, and sets the direction of the Mathematics team for coming years, as staff work to continually increase student

achievement across the system.

Niagara Catholic Superintendent of Education Mark Lefebvre and Chris Moscato, the Board's K-12 Math Consultant, presented the report to the Board during the October 13 Committee of the Whole Meeting. Read the full report in the [agenda](#).

Parent Involvement Update

According to provincial legislation, School Councils are required to make an annual report to their Board, outlining the membership and activities of the Board.

During the October 13 Committee of the Whole Meeting, Shonna Daly, Chair of the Niagara Catholic Parent Involvement Committee (NCPIC), presented the 2014-2015 Report to the Board. The report is available in the October 13 Committee of the Whole [agenda](#).

Parents Reaching Out Grants

Twenty-eight Niagara Catholic schools have been approved for more than \$26,000 from the Ministry of Education, as part of its Parents Reaching Out Grant initiative. Projects this year include ones for parent engagement, online safety/social media awareness, bullying awareness and prevention, health and wellness sessions including mental health programs, literacy and numeracy sessions and an Aboriginal knowledge family evening. View the complete list of projects in the Committee of the Whole [agenda](#).

In addition, the Niagara Catholic Parent Involvement Committee (NCPIC) has been granted \$10,000 for its Pray, Love and Learn: A Family's Educational Journey Project.

This initiative is a partnership with the Alliance Committee, and will host a series of parent workshops throughout the Niagara Region, in support of parent engagement, student achievement and well-being.

Policy Vetting

As part of its regular, cyclical review of policies, Niagara Catholic is currently vetting two policies with stakeholders. Stakeholders may provide comments about [Attendance Support Program Policy \(201.16\)](#) and [Asthma \(New\)](#) by November 12, 2015. Comments are to be sent to Jennifer Pellegrini, Communications Officer, by email at Jennifer.pellegrini@ncdsb.com by 4 p.m. on November 12 for consideration at the next Policy Committee meeting.

Follow us!

To ensure you stay connected with Niagara Catholic news and events, please be sure to like us on Facebook and follow us on Twitter, and check our website often for updates and breaking news. It's the best way to stay in the know.

**TO: NIAGARA CATHOLIC DISTRICT SCHOOL BOARD
BOARD MEETING
OCTOBER 27, 2015**

PUBLIC SESSION

**TOPIC: TRUSTEE INFORMATION
CALENDAR OF EVENTS – NOVEMBER 2015**

NOVEMBER 2015



Sun	Mon	Tue	Wed	Thu	Fri	Sat	
1 All Saints Day	2 All Souls Day	3	4 Take Our Kids to Work Day Gr. 9 Grade 8 Day SEAC Meeting	5	6 Random Act of Kindness Day	7	
8	9	10 SAL Meeting CW Meeting	11 Remembrance Day	12 Culture of Life Conference	13 Elementary and Secondary P.A. Day	14	
15	16	17	18 Lead Out Loud Student Conference	19 NCPIC Meeting	20	21	
		Bullying Awareness and Prevention Week					
22	23	24 Policy Committee Meeting Board Meeting	25	26	27	28	
29 First Sunday Of Advent	30						

**TO: NIAGARA CATHOLIC DISTRICT SCHOOL BOARD
BOARD MEETING
OCTOBER 27, 2015**

PUBLIC SESSION

**TOPIC: TRUSTEE INFORMATION
OCSTA TRAVEL ACCIDENT INSURANCE POLICY
DECEMBER 1, 2015 TO NOVEMBER 30, 2016**



Ontario Catholic School
Trustees' Association

Box 2064, Suite 1804
20 Eglinton Avenue West
Toronto, Ontario M4R 1K8
T. 416.932.9460 F. 416.932.9459
ocsta@ocsta.on.ca www.ocsta.on.ca

Kathy Burtnik, *President*
Bob Schreader, *Vice President*
Nick Milanetti, *Executive Director*

Date: October 23, 2015
TO: Trustees & Directors of Education
- Catholic District School Boards
CC: CDSB Secretaries and Administrative Assistants
FROM: Margaret Binns, Director of Administrative Services
RE: **OCSTA Travel Accident Insurance Policy
December 1, 2015, to November 30, 2016**

On behalf of the OCSTA Board of Directors, we are pleased to announce that once again, trustees may apply to be included in the OCSTA Travel Accident Insurance Policy.

The (1 year) cost for the period December 1, 2015, to November 30, 2016, is as follows:

- Up to age 70 = \$28.25 (\$25 + \$3.25 HST) per person
- 70-74 = \$45.20 (\$40 + \$5.20 HST) per person
- 75-79 = \$62.15 (\$55 + \$7.15 HST) per person
- 80-84 = \$79.10 (\$70 + \$9.10 HST) per person

NOTE: Student Trustees and Trustees age 85 or older are not eligible for this coverage.

Please complete the attached registration form that includes name, age, DOB, etc. for those trustees who wish to participate in this plan, and then return it to our office with cheque payable to OCSTA covering the total premium(s) due.

Deadline for receipt of applications is Friday, November 20, 2015.

This coverage applies only while the insured person is on OCSTA business. The sum payable to the estate of the insured person in the event of death is \$75,000. The weekly indemnity in the case of disability is \$250.00, payable to the insured person. A more detailed "Summary of Benefits" will be sent to each board along with a recap of their registrations, once both the registration form and full payment are received.

If you do not receive confirmation of your registration and payment from Camille Martin by Thursday, November 26, kindly contact her at cmartin@ocsta.on.ca to confirm that your enrolment documentation has been received by OCSTA.

PLEASE NOTE:

- OCSTA Directors are automatically covered under this Policy and do not need to be registered through their school board.
- Trustees age 85 or older are not eligible for this coverage.
- Student Trustees are not eligible for this coverage.
- Coverage will end for those enrollees who turn 85 and/or who are no longer active OCSTA Trustees during the insurance coverage period (December 1, 2015, to November 30, 2016), with no refund provided for the unused time.
- Once paid, no refunds will be issued under any circumstances.

If you have any questions please contact Margaret Binns or Camille Martin at 416-932-9460.

Note to Trustees:
If interested, please contact your local Board to coordinate enrolment.

